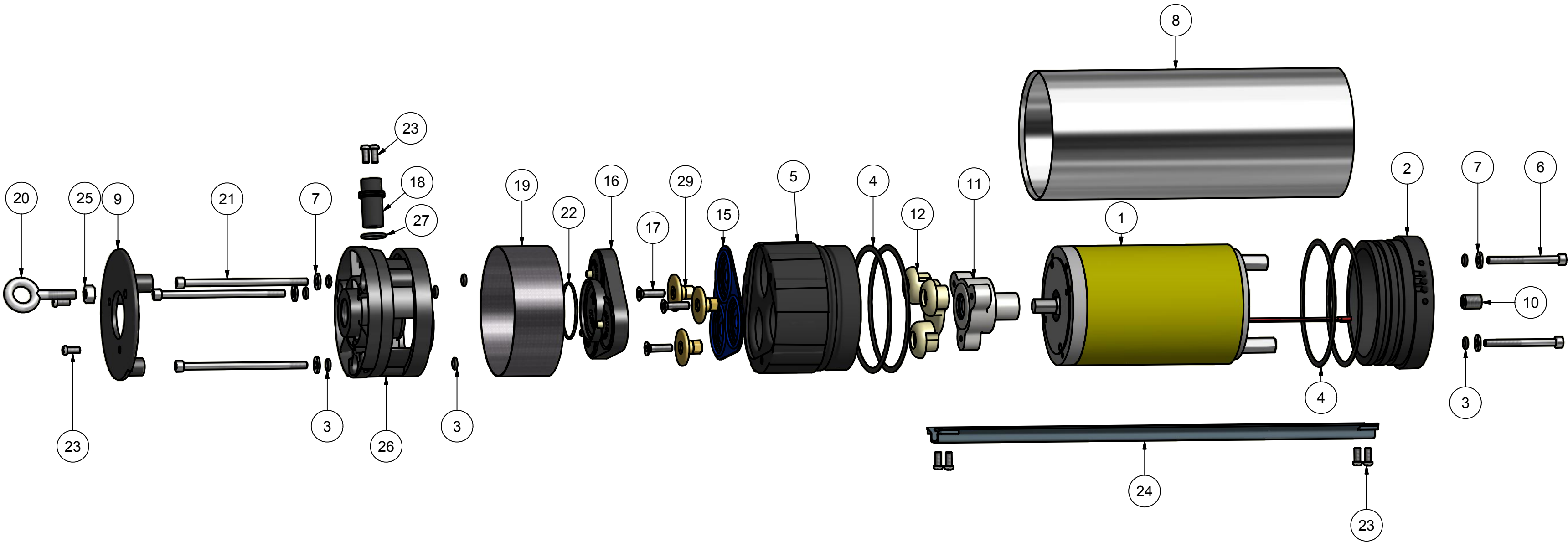


SDS-T-130 Exploded View 304 or 316 Stainless Steel



Parts List			
ITEM	QTY	PART NUMBER	DESCRIPTION
1	1	40425	Motor, SDS Long
2	1	41275	End Cap, Triplex
3	8	38800	O-Ring, 008
4	4	38845	O-Ring, Housing
5	1	41300	Motor Adapter, Triplex
6	2	20850	10-32 X 2 Bolt SS
7	5	21775	Washer, AN-960 #10 Flat
8	1	*	Housing, SDS SS
9	1	41255	Discharge Head Cap
10	1	21200	Set Screw, 3/8 -16 X 1/2
11	1	41110	Cam Assembly T-130
12	1	41350	Outer Piston Assembly
15	1	41210	Diaphragm, SDS-T-130 (Red)
16	1	41180	SDS-T Check Valve Assembly
17	3	20650	10-32 X 1 Piston Screw
18	1	40750	Relief Valve Assembly, T-130-135
19	1	41425	Suction Screen, Triplex
20	1	19980	I-Bolt 1/4-20 SS
21	3	20930	10-32 X 3 1/2 Bolt SS
22	1	41325	O-Ring, Triplex CV 2mm X 36mm
23	8	21600	Screw, 8-32 X 5-16
24	1	41430	Cable Guard, Triplex
25	1	20000	1/4-20 Nut Stainless Steel
26	1	41250	Discharge Head, SDS-T, NPT
27	1	38805	O-Ring Relief Valve 015
29	3	41355	Piston, Triplex Brass

* Note: 304 SS Housing Part No. 40350
316 SS Housing Part No. 40351

DRAWN James C. Allen	7/29/2013	SunPumps, Inc.	
CHECKED		TITLE	
QA		SDS-T-130 Parts List	
MFG		SIZE C	DWG NO 51655
APPROVED		SCALE	REV
			SHEET 1 OF 1